

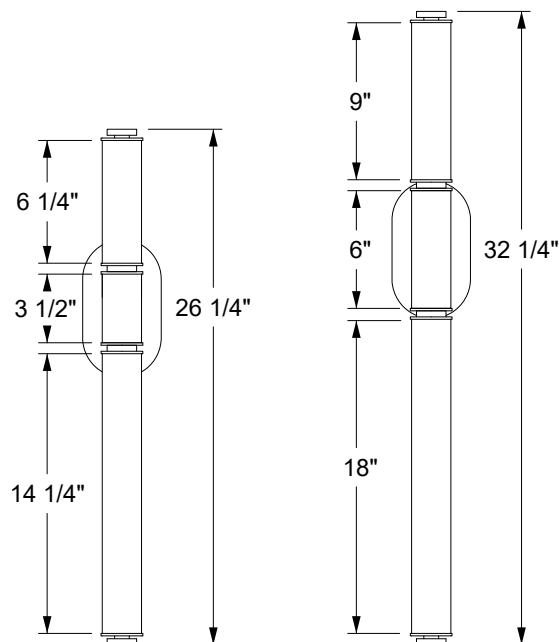
SCEPTER S3 Wall Sconce | Installation Instructions

DO NOT CONNECT DRIVERS TO THE FIXTURES WHILE THE POWER IS ON. POWER TO THE DRIVERS MUST BE OFF WHEN CONNECTION TO THE FIXTURES IS MADE. PERMANENT DAMAGE MAY OCCUR IF CONNECTED WITH POWER ON.

CAREFULLY UNPACK THE CONTENTS OF THE CRATE AND PLACE FIXTURES ON NON-SCRATCHING SURFACE. THE FIXTURES CAN REMAIN WRAPPED UNTIL THEY ARE HUNG AND THE INSTALLATION IS COMPLETE.

1. Unpack carefully on a soft non-scratch surface.
2. Locate the mounting bracket behind the pill backplate. Attach mounting bracket to junction box. Align then secure in place. Ensure the bracket is level.
3. Connect LED driver to junction box power feed.
Black > Black
White > White
Green > Green
4. Place the fixture on the wall by sliding the lip on the backplate over the mounting bracket. Tighten screws on the top and bottom with tool provided.

Installation is complete.



NOTE:

The installation of this fixture depends on the materials into which the bracket will be anchored to and are not supplied by Ridgely Studio Works. The testing of the substrate strength is the responsibility of the installer. The substrate should be able to hold the entire weight of the fixture or more for added strength/safety. Carefully evaluate the substrate and fixture weight prior to mounting in order to make sure the substrate is not overloaded. The fixture must be installed into a solid structure (ie. cross members, beams, joists, etc) in the ceiling

These instructions do not claim to cover all details or variations in the equipment, procedure, or process described, nor to provide directions for meeting every possible contingency during installation, operation or maintenance. RSW does not take any responsibilities in installation of product in this manual. Person in charge of installation MUST have a proper certification and is fully responsible..